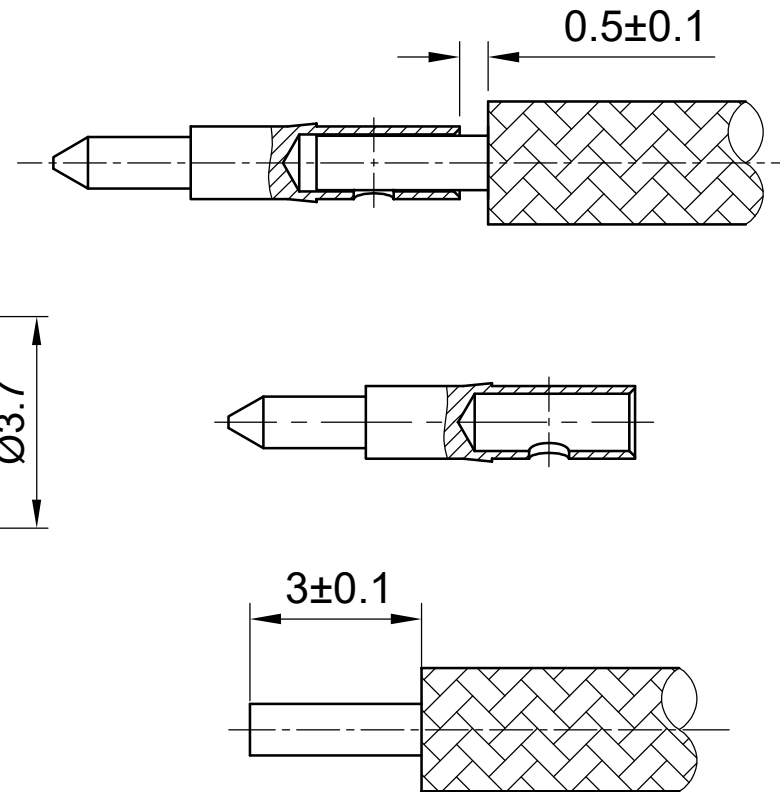
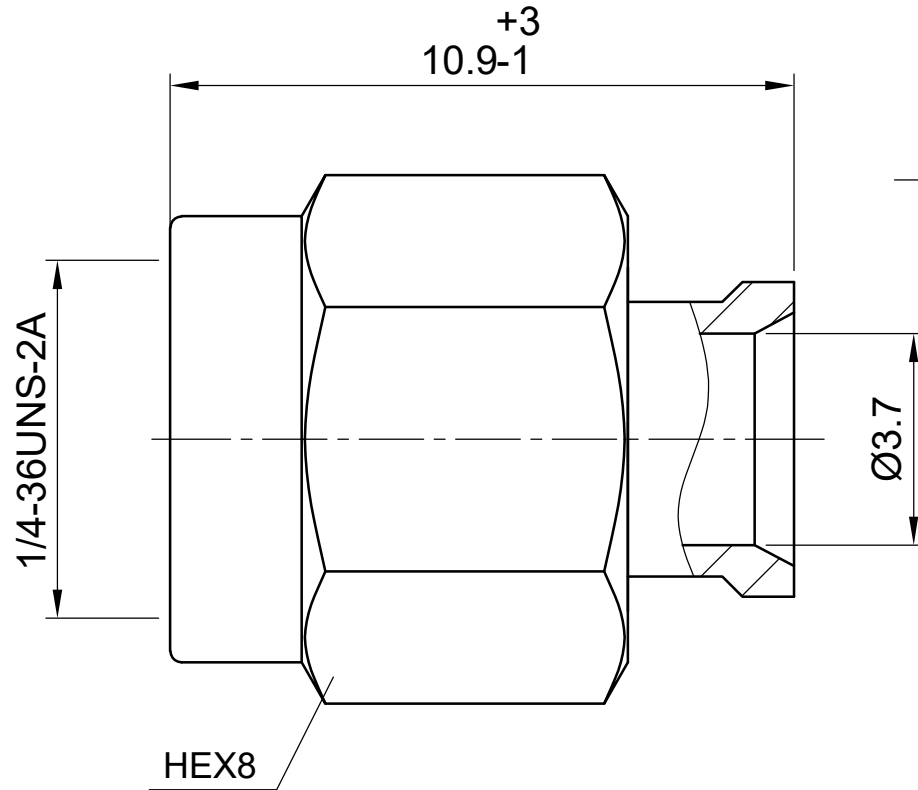


REV	Revision Note	DATE	DRAWN	APPROVED



Recommended wire stripping size

NOTES:

1. Temperature range: -45~+85°C;
2. Characteristic impedance: 50Ω;
3. Frequency range: DC~8.5GHz;
4. Dielectric withstanding voltage: 500V rms;
5. Insulation resistance: ≥1000MΩ;
6. VSWR: ≤1.2(DC~6GHz);
7. Durability: 500 cycles;
8. Salt spray: 72h;

5	Gasket	Silicon Rubber		1
4	Nut	Brass	Gold 0.2micron	1
3	Body	Brass	Gold 0.2micron	1
2	Insulators	Teflon		1
1	Center Contact	Brass	Gold 0.5micron	1
NO.	Description	Material	Finish	Q'TY
Materials and surface treatment				



TITLE:
SMA-JB3

PART No.		21B00661400		REF. P/N		A
GENERAL TOLERANCE				Designed	ZJ.Dong	SCALE
>120~400	±1.0	Ang	±1°	Checked	ZJ.Dong	FIT
>30~120	±0.6	UNITS: mm		Approved	ZB.Bai	SHEET
>6~30	±0.4			Date	2025.02.20	1/1
0.5~6	±0.2					REV
						A